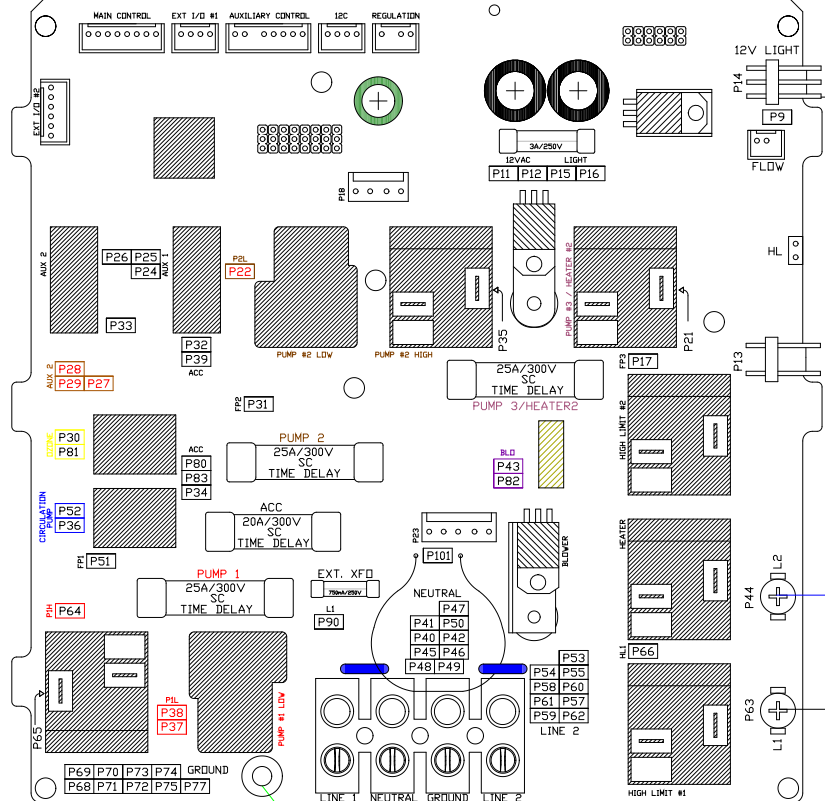


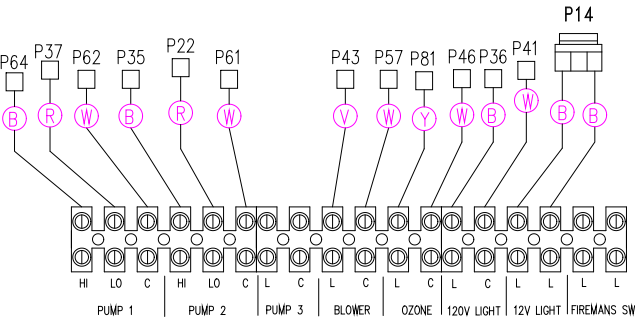
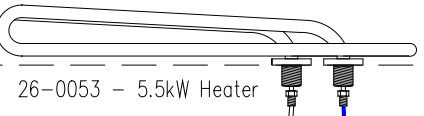
**LEGEND**

- - 1/4" QUICK CONNECT
- ▢ - 1/4" PIGGYBACK
- ⊔ - FORK CONNECTOR
- - RING CONNECTOR
- ◻ - SOCKET CONNECTOR
- △ - PIN CONNECTOR

33-0027-R2



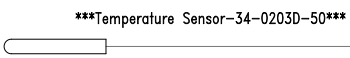
**MAIN INPUT SERVICE  
SEE MANUAL**



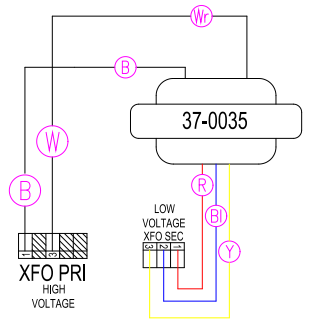
COMPONENT CONNECTION STRIP - USE COPPER CONDUCTORS ONLY



**\*\*ALL COMPONENTS MUST BE GROUNDED\*\***



REGULATION



**HYDRO-QUIP**  
CORONA, CA (909) 273-7575

Manufacture Notes:

Dwg. No.  
**G822A0-KLPQY-J**

Drawn  
MBS  
Date  
08.30.12  
Diagram No.  
**5160**

Rev  
04

**Wire Color Code**  
B - Black      G - Green  
Br - Brown    Bl - Blue  
R - Red        V - Violet  
O - Orange    W - White  
Y - Yellow     Gr - Gray